



Emmanuel Baptist Church, Australia



York University, Canada



York University, Glendon Campus,  
Canada

*Your sensational choice for bringing both quality seating and new engineering to your venue!*



### LOUISVILLE LS-10601 Series

The elegance and graceful design of LOUISVILLE Series makes this classic line an all-time best seller for auditoriums and churches. It features superior comfortable cushion and multiple choices of outerback, seat and arm for your specific needs.

# LOUISVILLE COLLECTION

## LS-10601P

- Plastic outerback/seat pan
- Plastic armrest
- Full upholstered end panel
- With/without writing tablet



## LS-10601WS

- Wood outerback/seat pan
- Wood armrest
- Wood end panel
- With/without writing tablet



## LS-10601

- Full upholstered outerback/seat pan
- Plastic armrest
- Full upholstered end panel
- With/without writing tablet



# FEATURES



## OUTERBACK

---

- Fully upholstered (LS-10601)
- Elegant plywood surfaced with attractive wood veneer (LS-10601WS)
- Injection molded polypropylene (LS-10601P)



## SEAT & BACK CUSHION

---

- Ergonomic back cushion shaped with lumbar support maintains excellence in both comfort and support
- Seat cushion density:  $60 \pm 5 \text{kg/m}^3$  , thickness: 100mm (3.94")
- Back cushion density:  $55 \pm 5 \text{kg/m}^3$  , thickness 80mm (3.15")



# FEATURES



## SEAT PAN

---

- Fully upholstered (LS-10601)
- Elegant plywood surfaced with attractive wood veneer (LS-10601WS)
- Injection molded polypropylene (LS-10601P)

## TIP-UP MECHANISM

---

- Counterweight/counter-balance mechanism (LS-10601/10601P) allows for a lifetime of smooth operation
- Combination of spring and damping provides quiet seat return (LS-10601WS)

# FEATURES

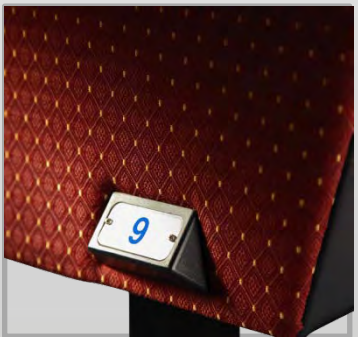


## ARM & END PANEL

- Available in PP armrest /solid wood armrest/ PP integral cup holder armrest
- Optional PP writing tablet (wood arm cap or PP arm cap)
- Flip up central arm design available help to add user space.
- Available in full upholstery end panel or painted wood ends

## LEG

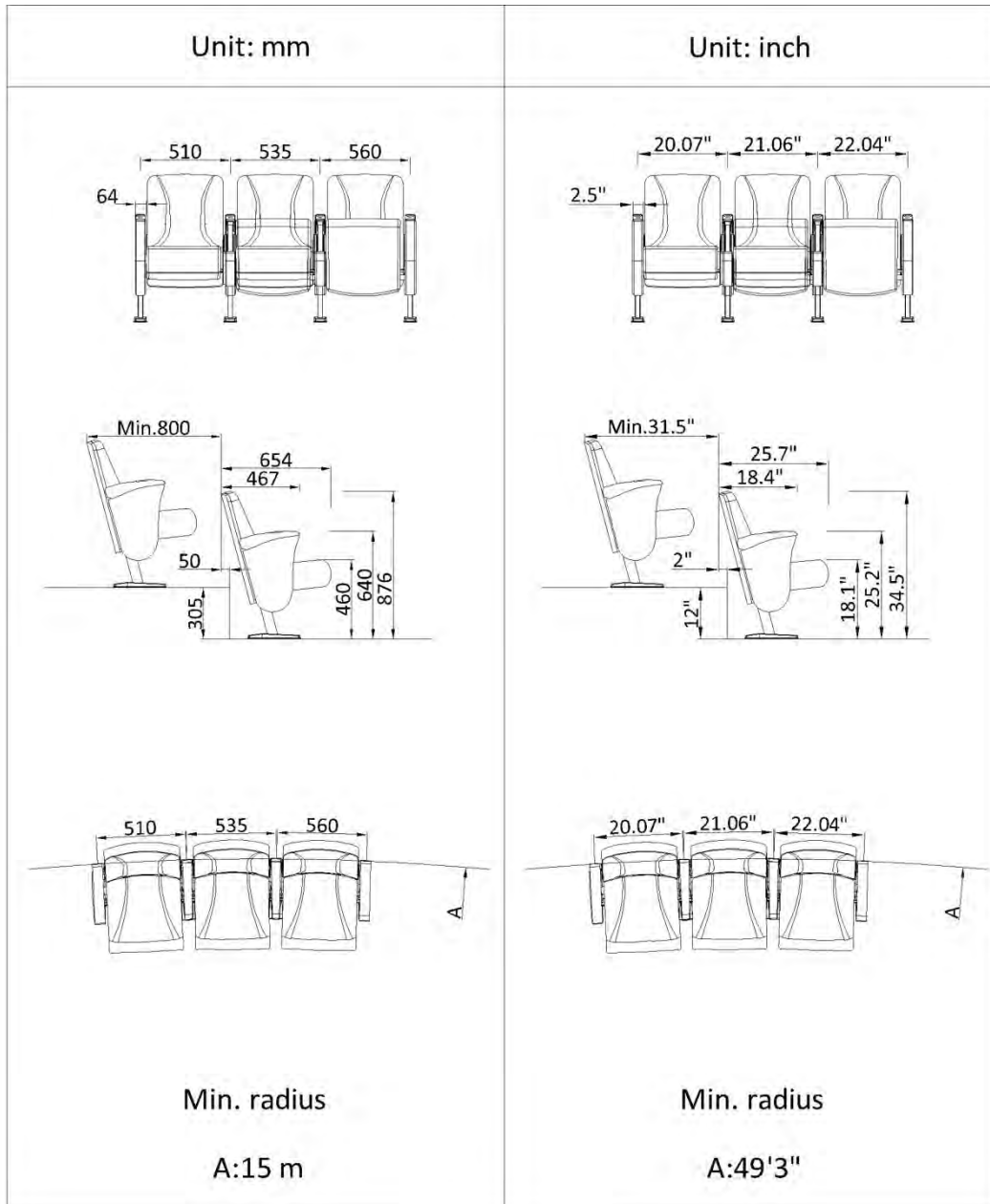
- Strong steel structural support
- Electrostatic powder coat finish



## OTHER OPTIONAL FEATURES

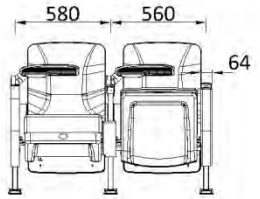
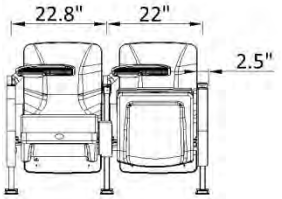
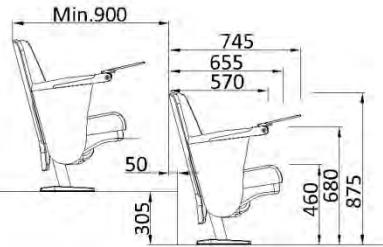
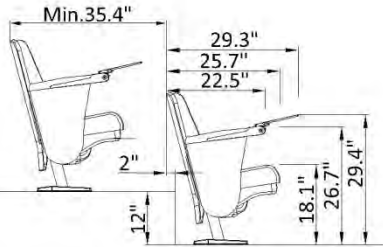
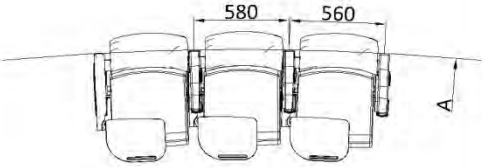
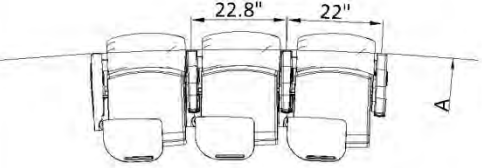
- Row/seat number plate
- LED aisle light
- Movable base
- Rear book net
- CA117 fire-retardant finish on fabric/foam

# DIMENSIONS



LS-10601/LS-10601P Without tablet		
Description	mm	inch
C/C (armrest center to center)	510	20.07
	535	21.06
	560	22.04
Arm width	64	2.5
Armrest to rear back depth	467	18.4
Floor to seat height	460	18.1
Floor to armrest height	640	25.2
Overall back height	876	34.5
Minimum row spacing	800	31.5
Recommended row spacing	900	35.4

# DIMENSIONS

Unit: mm	Unit: inch
	
	
	
<p>Min. radius</p> <p>A:15 m</p>	<p>Min. radius</p> <p>A:49'3"</p>

LS-10601WS		
With tablet		
Description	mm	inch
C/C (armrest center to center)	560	22
	580	22.8
Arm width	64	2.5
Overall depth with tablet open	745	29.3
Overall depth with tablet closed	655	25.7
Armrest to rear back depth	570	22.5
Floor to seat height	460	18.1
Floor to armrest height	680	26.7
Overall back height	875	29.4
Minimum row spacing	900	35.4
Recommended row spacing	1000	39.4

<b>Special treatment options</b>	<ol style="list-style-type: none"> <li>1. Fabric special treatment: <b>3M</b></li> <li>2. Fire retardant: <b>CA117/BS5852</b></li> <li>3. Foam special treatment: <b>CA117/BS5852</b></li> </ol>
<b>Standard techniques</b>	<ol style="list-style-type: none"> <li>1. <b>Structure:</b> steel tube and plate, arc welds with continuous wire fee</li> <li>2. <b>Paint:</b> Electrostatic epoxy powder. Finish: 60~80N/m Impact resistant: 50KG/cm</li> <li>3. <b>Upholstery:</b> Abrasion resistance, ASTM D4966-98 (2004)</li> <li>4. <b>Polypropylene:</b> Polypropylene copolymer IF-727 tensile strength at break Din 53445 28N/mm<sup>2</sup>, impacts strength DIN 53453 NO BREAK</li> </ol>
<b>Raw material</b>	<ol style="list-style-type: none"> <li>1. Raw material provided by <b>BSF Germany</b> Company</li> <li>2. Foam formula introduced by <b>European technology</b></li> </ol>
<b>Package</b>	Units are shipped <b>knocked-down (KD)</b> with detailed assembly instructions for easy assembly in the field
<b>After-sales support</b>	<ol style="list-style-type: none"> <li>1. 3% free high-consuming part supply</li> <li>2. On-site installation support</li> <li>3. <b>Five-year</b> comprehensive manufacturing warranty</li> </ol>
<b>Minimum order quantity</b>	Normally MOQ would be one 20GP or one 40GP, subject to the type of seating products you ordered Orders less than MOQ are still accepted base upon different shipping terms
<b>Shipping terms</b>	FOB GUANGZHOU for order meets MOQ EX-WORKS for order less than MOQ All shipping cost would be at buyer's cost for EX-WORKS order
<b>Delivery time</b>	<b>20-30 days</b> Subject to type of product and qty you order Normally 1000 seats (without woodworks) takes about 28 days, 30 days (with woodworks)